

Group 40 Auxiliary Power System

GENERAL: This group contains information on the auxiliary generator set or any auxiliary power generating equipment that produces a domestic current supply.

SPECIFICS: As applicable

- ...Auxiliary Power Unit
- ...Carburetor - APU
- ...Choke - APU
- ...Exhaust Pipe - APU
- ...Fuel Pump - APU
- ...Gasoline Engine and Components
- ...Generator - APU
- ...Ignition Coil - APU
- ...Mounting Hardware For Unit
- ...Muffler - APU
- ...Solenoid - APU
- ...Voltage Regulator - APU
- ...Wiring - APU



FMC Corporation
Motor Coach Division
333 Brokaw Road Box 664 Santa Clara California 95052

REPAIR PARTS LIST

Auxiliary
 GROUP 40 Power System
 MODEL 2900R

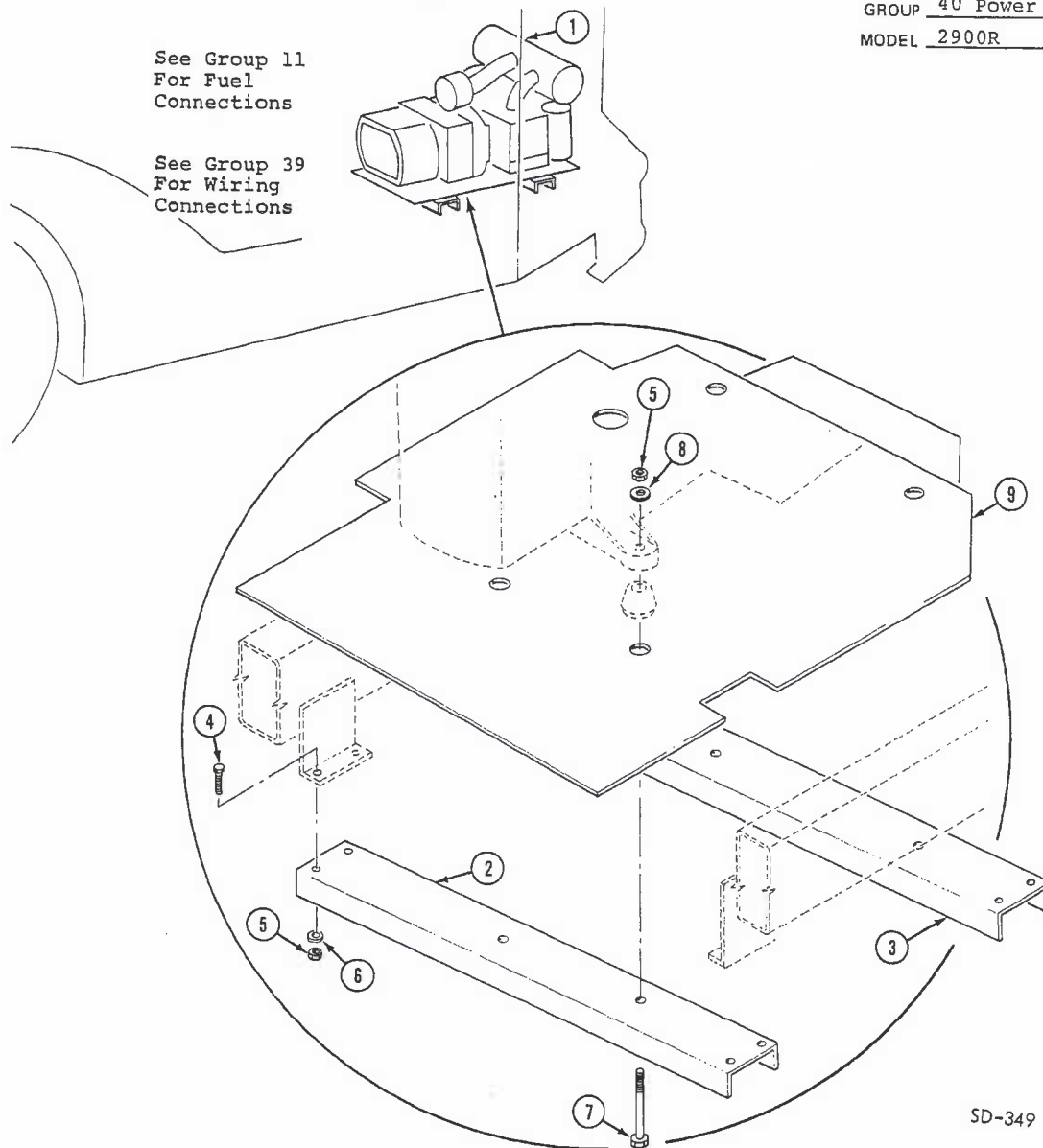


Figure 40-1. APU Assembly and Mounting Parts

FIG NO.	ITEM NO.	RVD PART NUMBER	ITEM DESCRIPTION	QTY PER UNIT
40-1	1	5100067-02	AUXILIARY POWER UNIT, 110 V generator (ON 6.5 NH-3CR-12000) NOTE: Above item replaces RVD 5100067-01 Onan 6.5 NH-3CR/10005C used on coaches 00001 to 00026. Contact local Onan distributor for component parts.	1
	2	5100831	SUPPORT, APU forward	1
	3	5100832	SUPPORT, APU rear	1
	4	M18023	BOLT, Support to frame (3/8 - 7/6 X 1 1/2)	8
40-1	5	M17062	NUT, Support bolt (3/8 - 16)	8
	6	M17004	WASHER, Support bolt (3/8 flat)	8
	7	M18073	CAPSCREW, APU to support (7/16 - 14 X 4)	4
	8	M17068	WASHER, APU to support screw (7/16 flat)	4
40-1	9	5101523	PLATE, APU mounting (coach 00027 and up)	1